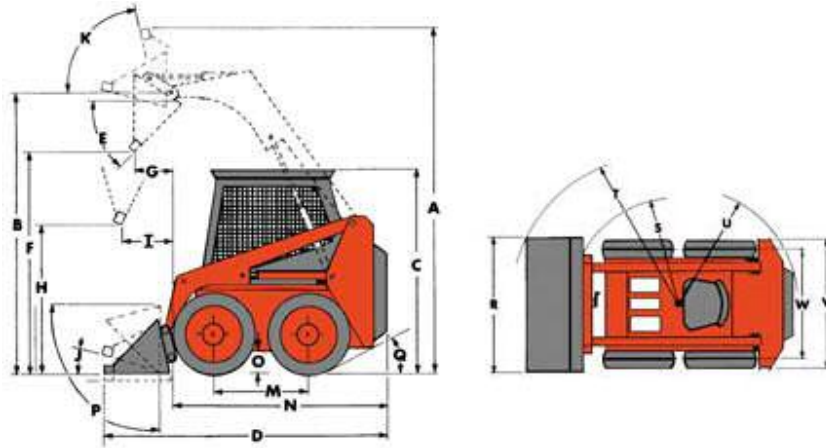




165

1650 lbs (748 kg) Capacity



Dimensional Specifications:	mm
A. Overall Operating Height	3792 mm
B. Height to Hinge Pin	2930 mm
C. Overall Height of Vehicle	1900 mm
D. Overall Length With Bucket	3299 mm
E. Dump Angle	40 °
F. Dump Height	2250 mm
G. Reach - Fully Raised	690 mm
H. Height at 45° Dump Angle	1812 mm
I. Reach at 45° Dump Angle	776 mm
J. Maximum Rollback at Ground	30 °
K. Maximum Rollback - Fully Raised	100 °
M. Wheelbase	1052 mm
N. Overall Length - Less Bucket	2561 mm
O. Ground Clearance	195 mm
P. Maximum Grading Angle - Bucket	110 °
Q. Angle of Departure	26 °
R. Bucket Width	1610 mm
S. Clearance Circle Front - Less Bucket	1260 mm

T. Clearance Circle Front - With Bucket	2474 mm
U. Clearance Circle Rear	826 mm
V. Overall Width - Less Bucket	1537 mm
W. Tread	1270 mm

Note: All dimensions are with rubber tracks and four post canopy