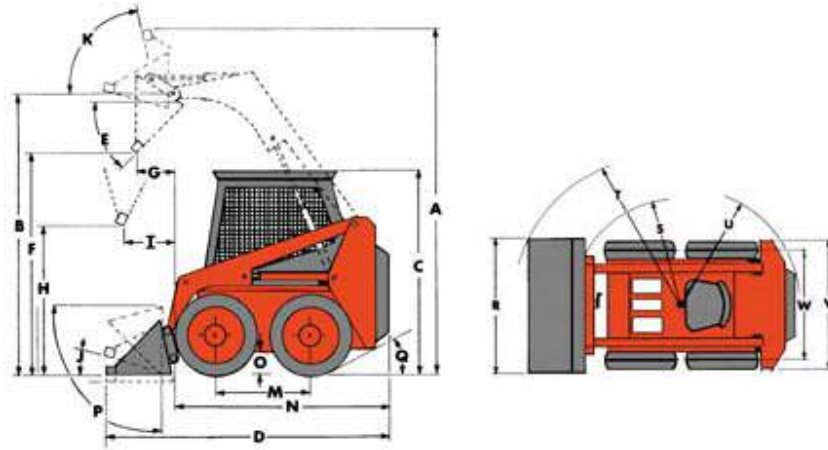




175

1750 lbs (794 kg) Capacity



Dimensional Specifications:	mm
A. Overall Operating Height	4267 mm
B. Height to Hinge Pin	3385 mm
C. Overall Height of Vehicle	2108 mm
D. Overall Length With Bucket	3538 mm
E. Dump Angle	26° °
F. Dump Height	2813 mm
G. Reach - Fully Raised	540 mm
H. Height at 45° Dump Angle	1918 mm
I. Reach at 45° Dump Angle	749 mm
J. Maximum Rollback at Ground	20° °
K. Maximum Rollback - Fully Raised	96° °
M. Wheelbase	1003 mm
N. Overall Length - Less Bucket	2800 mm
O. Ground Clearance	222 mm
P. Maximum Grading Angle - Bucket	86° °

Q. Angle of Departure	28 °
R. Bucket Width	1746 mm
S. Clearance Circle Front - Less Bucket	1295 mm
T. Clearance Circle Front - With Bucket	2095 mm
U. Clearance Circle Rear	1664 mm
V. Overall Width - Less Bucket	1727 mm
W. Tread	1403 mm

Note: All dimensions are with rubber tracks and four post canopy