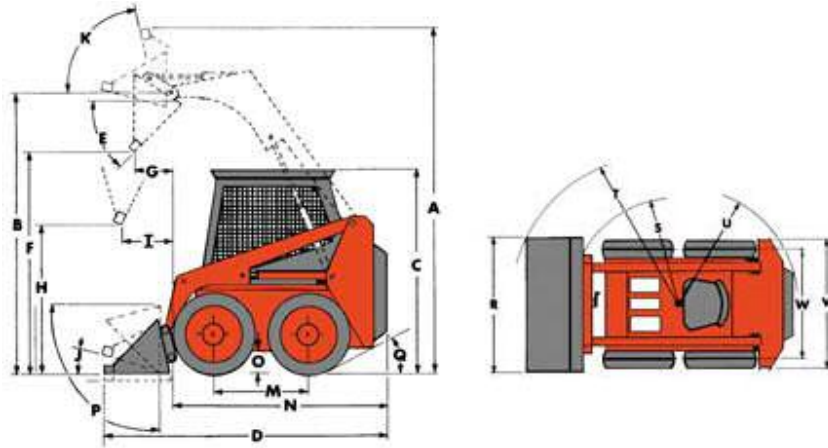




# 255

2500 lbs (1134 kg) Capacity



Dimensional Specifications:	mm
A. Overall Operating Height	3988 mm
B. Height to Hinge Pin	3143 mm
C. Overall Height of Vehicle	2134 mm
D. Overall Length With Bucket	3708 mm
E. Dump Angle	36 °
F. Dump Height	2457 mm
G. Reach - Fully Raised	546 mm
H. Height at 45° Dump Angle	2038 mm
I. Reach at 45° Dump Angle	641 mm
J. Maximum Rollback at Ground	20 °
K. Maximum Rollback - Fully Raised	87 °
M. Wheelbase	1238 mm
N. Overall Length - Less Bucket	2985 mm
O. Ground Clearance	229 mm

P. Maximum Grading Angle - Bucket	88 °
Q. Angle of Departure	27 °
R. Bucket Width	1854 mm
S. Clearance Circle Front - Less Bucket	1377 mm
T. Clearance Circle Front - With Bucket	2134 mm
U. Clearance Circle Rear	1773 mm
V. Overall Width - Less Bucket	1797 mm
W. Tread	1486 mm

**Note:** All dimensions are with rubber tracks and four post canopy